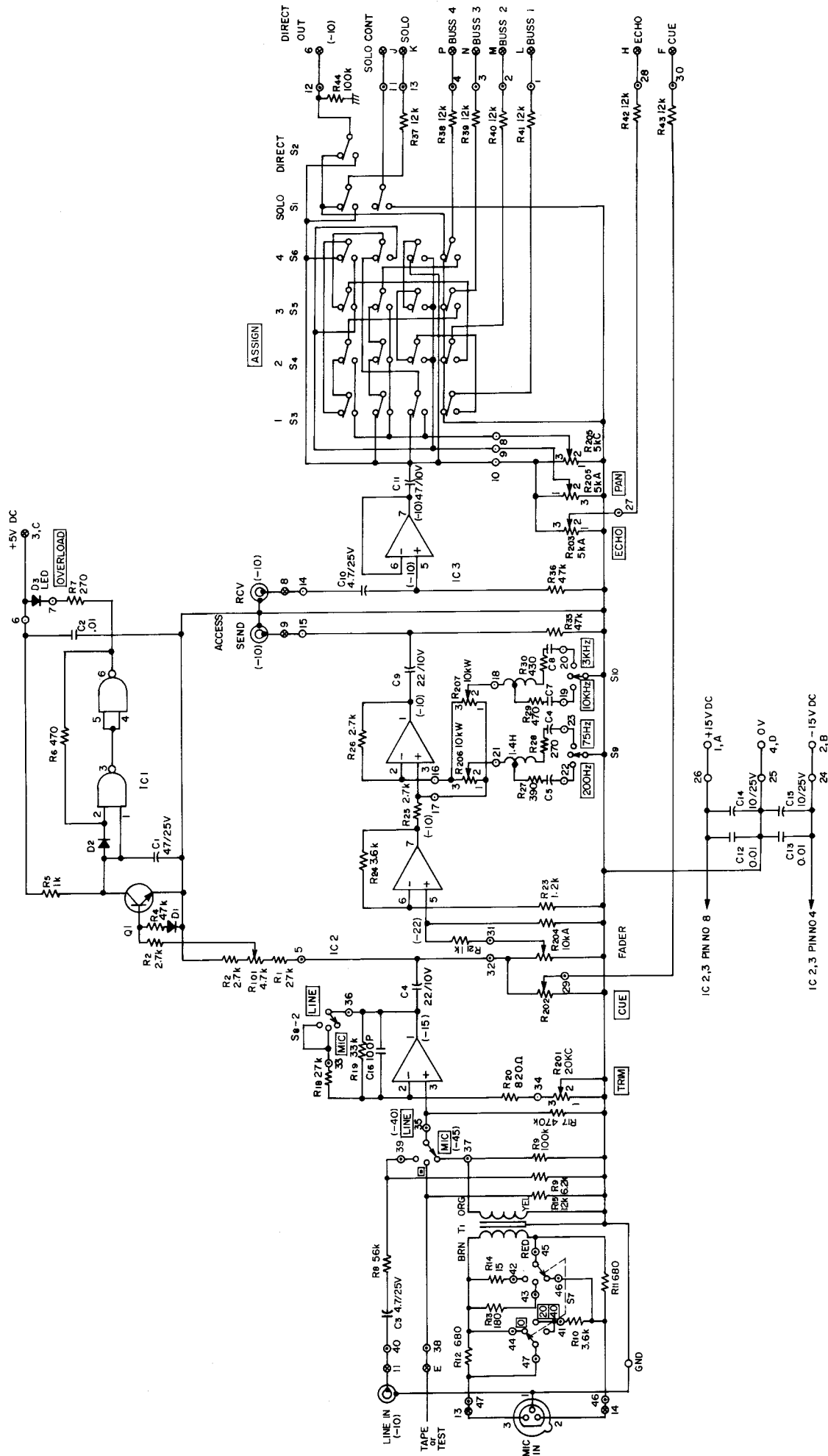


SCHEMATICS

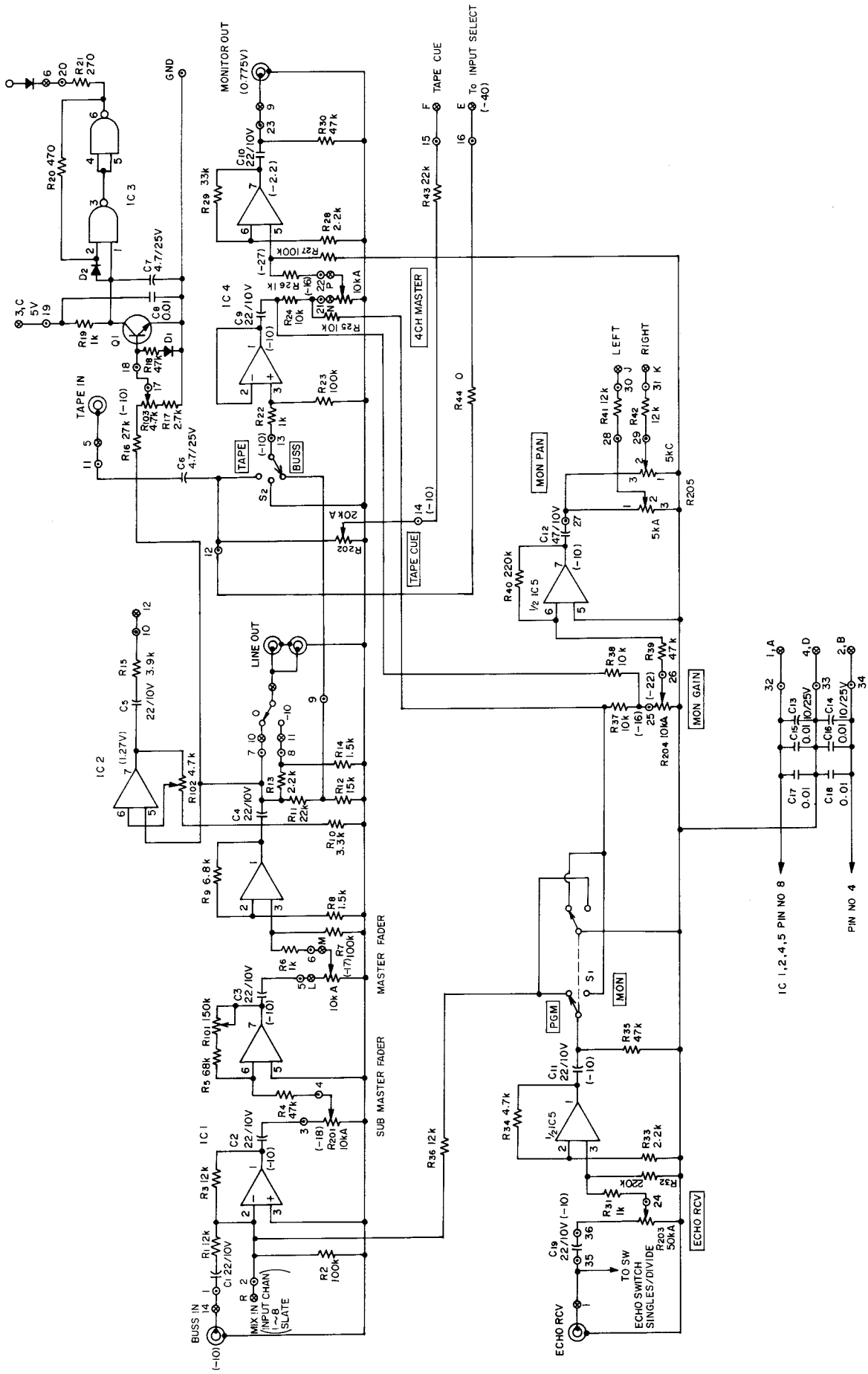
TEAC Tascam Series Model-5A

TEAC®

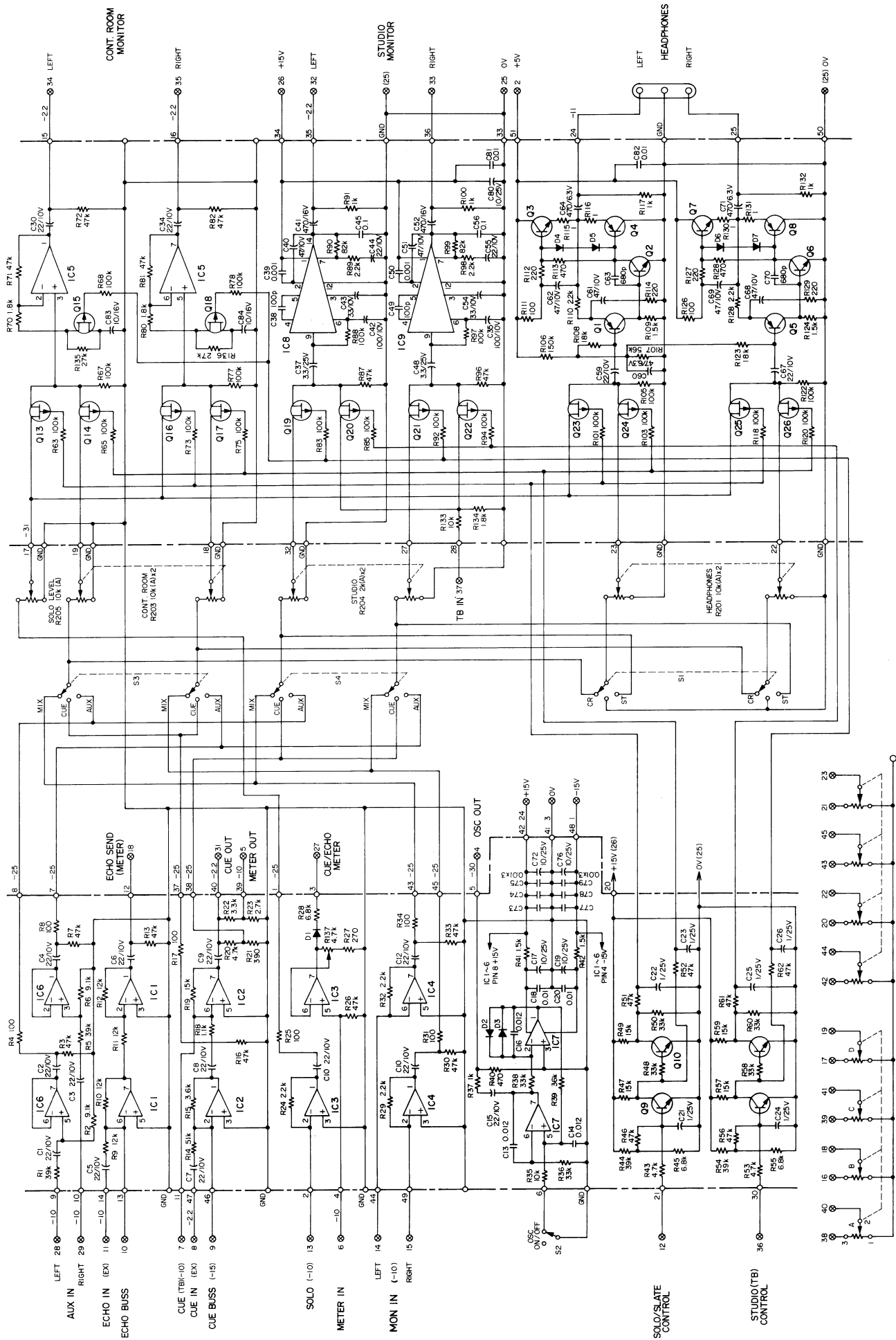


ALL RESISTORS 4%, 5% UNLESS OTHERWISE INDICATED
 ALL CAPACITORS ARE IN MFD. AT INDICATED VOLTAGE
 CURVED PLATE OF CAPACITOR SYMBOLS INDICATE NEGATIVE POLARITY
 ⊗ INDICATES PCB CONNECTOR PIN DESIGNATIONS
 ⊙ INDICATES EXTERNAL LEAD WIRING POINTS ON PCB

SCHEMATIC
 Model 201
 Input Module
 DMG. REV. 1

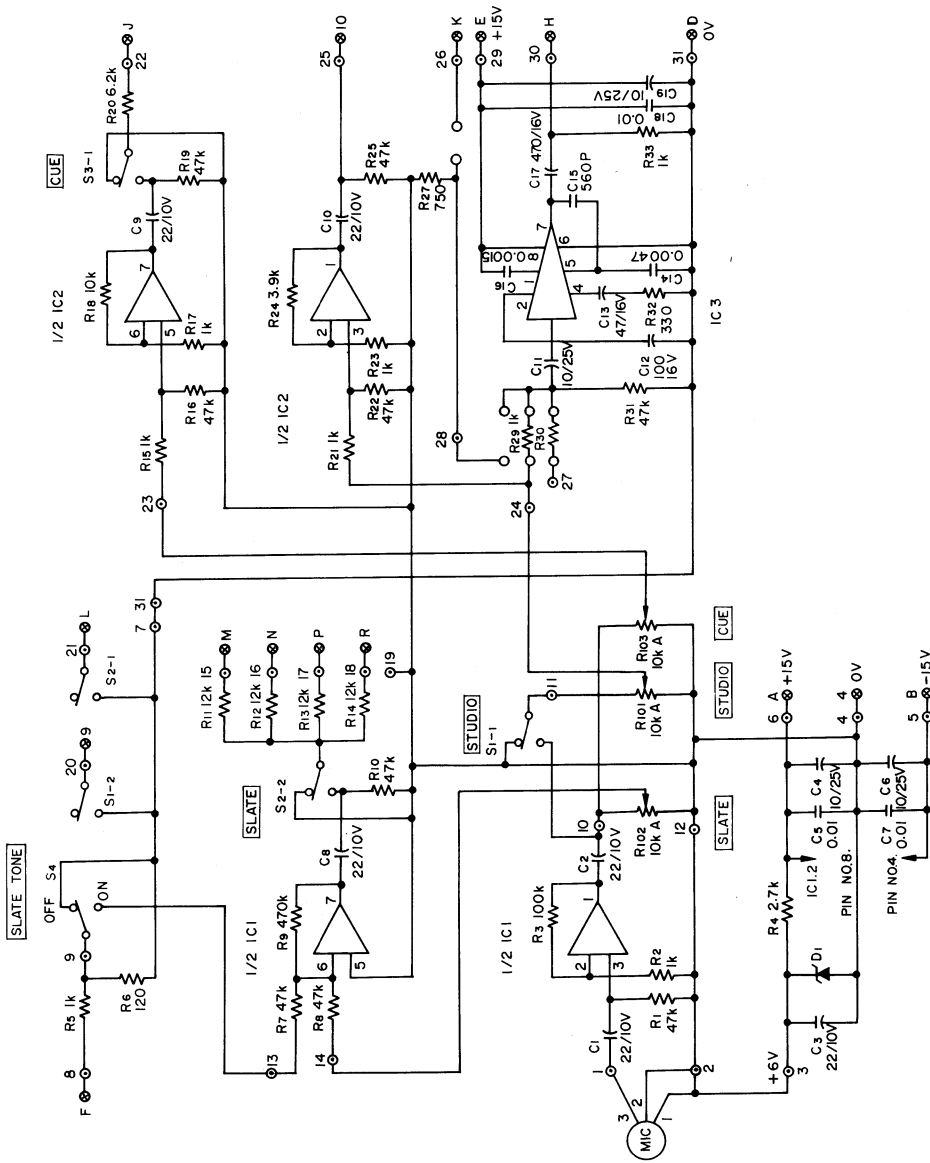


ALL RESISTORS \pm W, 5% UNLESS OTHERWISE INDICATED
 ALL CAPACITORS ARE IN MFD. AT INDICATED VOLTAGE
 CURVED PLATE OF CAPACITOR SYMBOLS INDICATE NEGATIVE POLARITY
 ⊗ INDICATES PCB CONNECTOR PIN DESIGNATIONS
 ○ INDICATES EXTERNAL LEAD WIRING POINTS ON PCB

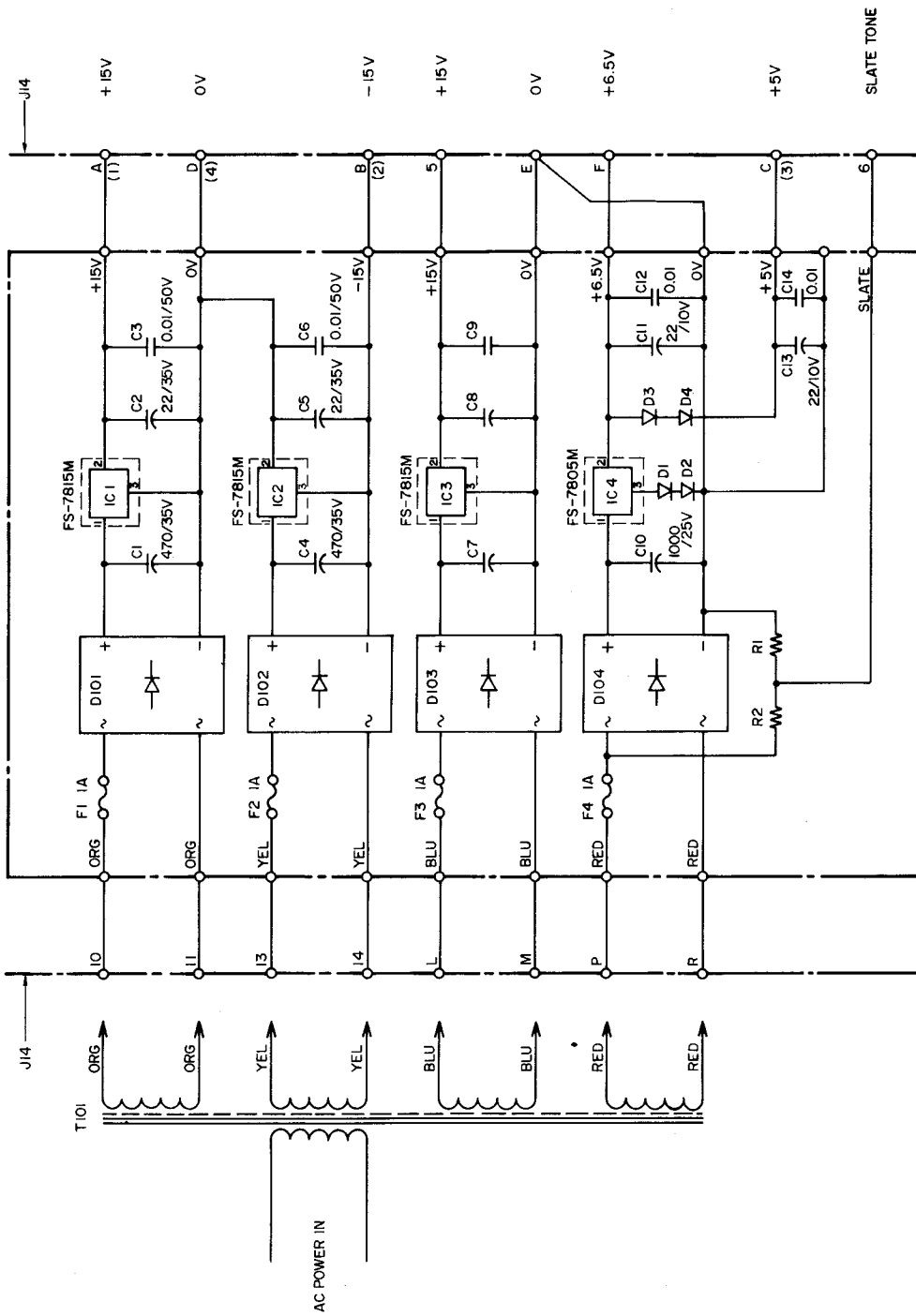


ALL RESISTORS $\pm 5\%$ UNLESS OTHERWISE INDICATED
 ALL CAPACITORS ARE IN MFD. AT INDICATED VOLTAGE
 CURVED PLATE OF CAPACITOR SYMBOLS INDICATE NEGATIVE POLARITY
 ⊗ INDICATES PCB CONNECTOR PIN DESIGNATIONS
 ○ INDICATES EXTERNAL LEAD WIRING POINTS ON PCB

SCHEMATIC
 Model 203A
 Master/Monitor Module
 DWG. REV. ____

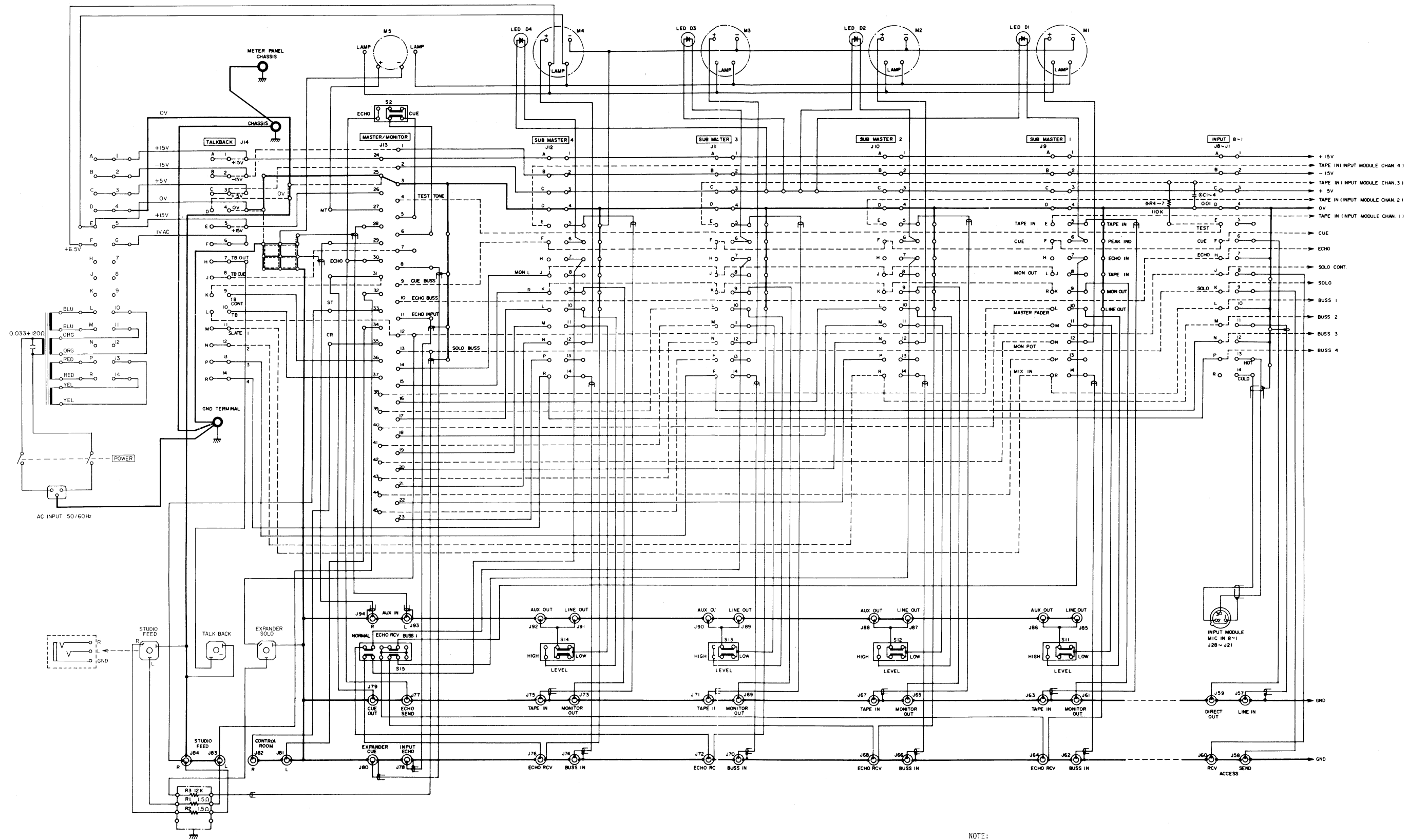


ALL RESISTORS μ M, 5% UNLESS OTHERWISE INDICATED
 ALL CAPACITORS ARE IN MFD. AT INDICATED VOLTAGE
 CURVED PLATE OF CAPACITOR SYMBOLS INDICATE NEGATIVE POLARITY
 ⊗ INDICATES PCB CONNECTOR PIN DESIGNATIONS
 ⊙ INDICATES EXTERNAL LEAD WIRING POINTS ON PCB



ALL RESISTORS $\frac{1}{4}$ W, 5% UNLESS OTHERWISE INDICATED
 ALL CAPACITORS ARE IN MFD. AT INDICATED VOLTAGE
 CURVED PLATE OF CAPACITOR SYMBOLS INDICATE NEGATIVE POLARITY
 ⊙ INDICATES EXTERNAL LEAD WIRING POINTS ON PCB

Main Frame



NOTE:

Of the PC pattern interconnecting J1 through J14 on the 2 side clad mother board PCB, the broken line indicates the copper on the front side and the unbroken lines for those on the rear panel side.

* As shown in the Schematic, the Test Tone line is connected to Pin E of J8 only and does not extend to the remaining J1-J7.

Pin E of J1-J4 are respectively connected to the Tape In lines of channels 1-4 via R4-R7, and capacitors C1-C4 are connected between the Tape In lines and the 0V line. No resistors and capacitors are connected between Pin E of J5-J7 and the Tape In lines.

SCHEMATIC
TEAC Tascam Series 5A
DWG. REV. _____

